

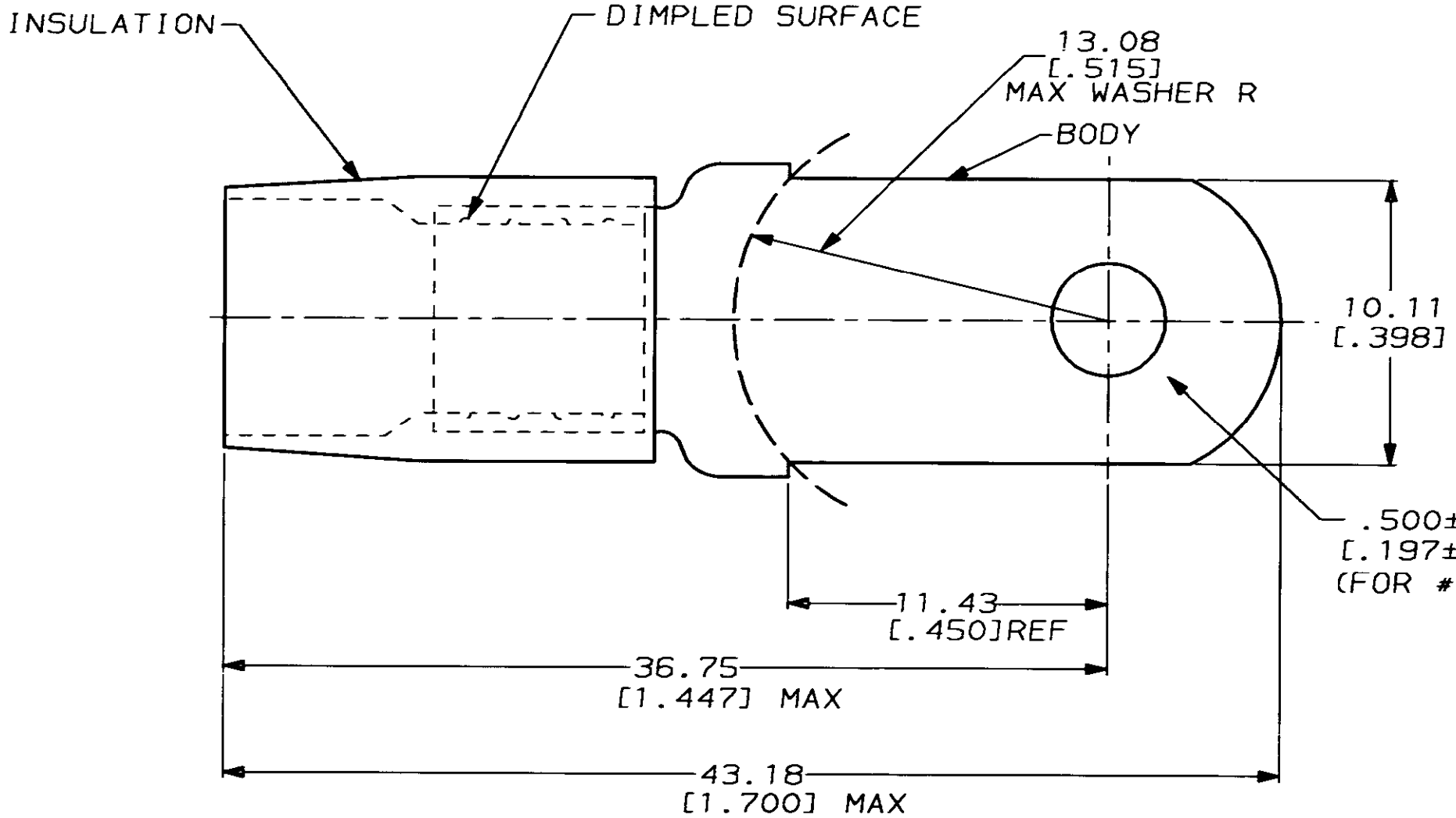
THIS DRAWING IS UNPUBLISHED. RELEASED FOR PUBLICATION, 19 .  
 © COPYRIGHT 19 BY AMP INCORPORATED. ALL INTERNATIONAL RIGHTS RESERVED.

LOC	DIST	P	F	ZONE	LTR	REVISIONS	DATE	APPD
G	14				A	EC 0720-0279-93	6-21-93	BB

**AMP**  
WIRE RANGE  
6 AWG  
STRANDED

**METRIC**  
DIMENSIONS LISTED IN mm [ INCHES ]

1. TONGUE MATERIAL THK 1.14±0.08 [.045±.003] FOR 7.98 [.314] MAX WIRE INS DIA



<b>AMP INCORPORATED CUSTOMER SERVICE SYSTEMS</b>		MAX RECOMMENDED OPERATING TEMPERATURE: 105°C	DO NOT SCALE PRINT. UNLESS SPECIFIED DIMENSIONS IN INCHES TOLERANCES ON: 2 PLC DEC ± 0.20 (.008) 3 PLC DEC ± - ANGLES ± -	DR 6-21-93 S.S. GOLDEN CHK 6-21-93 R. HERSEY APPD 6-21-93 B. BARE APPD 6-21-93 M. ELLIS	QTY	LOOSE PC	53119-1
FOR ADDITIONAL PRODUCT INFORMATION OR COPIES OF DRAWINGS AND TECHNICAL DOCUMENTS	PRODUCT INFORMATION CENTER 1-800-522-6752	VOLTAGE RATING: -	MATERIAL COPPER PER ASTM B-152 NYLON (MIL-M-20693) TYPE 1 COLOR: BLUE	PRODUCT SPEC		PACKAGE TYPE	PART NO
FOR APPLICATION TOOLING INFORMATION	TOOLING ASSISTANCE CENTER 1-800-722-1111	CIRCULAR MIL AREA: 10.5-16.8mm² [20,800-33,100] STRANDED	FINISH TIN PLATE PER MIL-T-10727	APPLICATION SPEC		<b>AMP</b> AMP Incorporated Harrisburg, PA 17105-3608	
FOR ORDER ENTRY	1-800-526-5142	THIS DRAWING IS A CONTROLLED DOCUMENT FOR AMP INCORPORATED. IT IS SUBJECT TO CHANGE AND THE CONTROLLING ENGINEERING ORGANIZATION SHOULD BE CONTACTED FOR THE LATEST REVISION.		WEIGHT		NAME WIRE TERMINAL RECT TONGUE TERMINYL WIRE SIZE: 6 AWG	
						SIZE	DRAWING NO
						CAGE CODE	C-53119
						SCALE	SHEET
						NTS	1 OF 1